

STRAINER/FILTER type F10K
IN CARBON STEEL AND STAINLESS STEEL

PN16-40
DN15-DN400



FEATURES

Dirt trap/Filter in angle version with body and bonnet in cast steel or ductile iron. Filter element in plait non-corrosive- (304) or stainless (316) wire. Standard version with flanged or weld-end connection. Other connection types can be delivered.

APPLICATION

Water, steam, and other medium which not damage the internal components
Used in process industry, power plants, marine applications, etc.

Technical data	
Dimensions	DN 15 to DN 400
Materials	Carbon steel, alloy steel, stainless steel, stainless steel,
Pressure class	PN 16 to PN 40
Temperature range	Carbon steel -20°C to max 550°C Stainless to max 550°C ¹⁾
Connection forms	Flanged, cast iron Weld-ends, forged steel \square DN 50 Cast iron >DN 65
Filter	SS304 alternatively SS316

Standard	
Design	EN 12516
Face-to-face	EN 558-1, 14
Flanges	EN 1092-1
Labelling	EN 19
Pressure test	EN 12266-1
CE-certified	acc. to PED97/23, Category

Table 1 - Pressure and temperature range according to EN 1092-1, PN16 - PN25/40

Material body	PN	RT	100	150	200	250	300	350	400	450	500	530	550 ¹⁾
Carbon steel 1.0619	16	16,0	14,9	13,9	12,4	11,4	10,3	9,6	9,2				
Carbon steel 1.0619		40,0	37,3	34,7	30,2	28,4	25,8	24,0	23,1				
Alloy steel 1.5419	25/40	40,0	40,0	40,0	38,2	35,6	30,2	28,4	26,7	25,8	18,0		
Alloy steel 1.7357		40,0	40,0	40,0	40,0	39,1	36,4	33,8	32	30,2	24,4	13,9	
Stainless steel CF8	16	14,7	12,1	11,0	10,2	9,6	9,0	8,7	8,4	8,1	7,8	7,6	7,3
Stainless steel CF8M		14,7	12,5	11,4	10,6	9,8	9,3	9,0	8,7	8,5	8,4	8,3	8,2
Stainless steel CF8	25/40	36,8	30,3	27,5	25,5	24,1	22,7	21,9	21,2	20,3	19,6	19,2	18,4
Stainless steel CF8M		36,8	31,3	28,5	26,4	24,7	23,4	22,6	21,8	21,4	21,0	20,8	20,7

1) För flänsade ventiler max 530°C

STRAINER/FILTER type F10K
IN CARBON STEEL AND STAINLESS STEEL

PN16-40
DN15-DN400

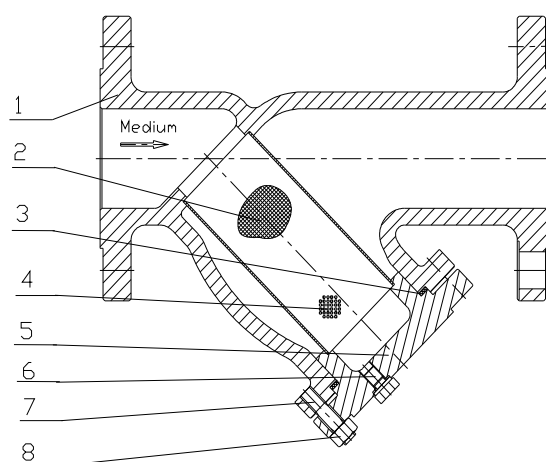
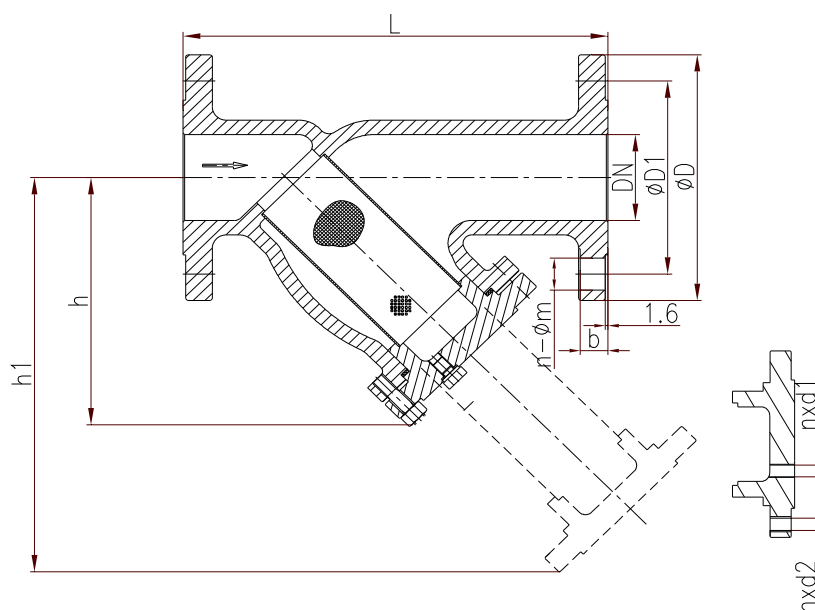


Table 3. Material specification

Pos	Part	Material		
1	Hus	1.0619	CF8	CF8M
2	Support cage	SS 304	SS 304	SS 316
3	Packing	Grafit	Grafit + 304	Grafit + 304
4	Filter element	SS 304 SS 316	SS 304 SS 316	SS 316
5	Bonnet	1.0619	CF8	CF8M
6	Drain plug	ASTM 1025	ASTM 1025	ASTM 1025
7	Bolt	carbon steel	carbon steel	carbon steel
8	Mutter	ASTM A 194 2H	ASTM A 194 2H	ASTM A 194 2H



STRAINER/FILTER type F10K
IN CARBON STEEL AND STAINLESS STEEL

PN16-40
DN15-DN400



Table 4. Dimensions

DN	PN	L mm	D mm	D1 mm	b mm	h mm	h1 mm	n- Φ m mm
15		130	95	65	16	73	116	4x14
20		150	105	75	18	88	140	4x14
25	16-25/40	160	115	85	18	93	148	4x14
32		180	140	100	18	100	159	4x18
40		200	150	110	18	115	183	4x18
50		230	165	125	18	155	247	4x18
65		290	185	145	18	198	316	8x18
80		310	200	160	20	210	335	8x18
100		350	220	180	20	250	398	8x18
125		400	250	210	22	305	486	8x18
150	16	480	285	240	22	358	571	8x22
200		600	340	295	24	450	717	12x22
250		730	405	355	26	503	802	12x26
300		850	460	410	28	578	921	12x26
350		980	520	470	30	598	953	16x26
400		1100	580	525	32	618	985	16x30
50		230	165	125	20	155	247	4x18
65		290	185	145	22	198	316	8x18
80	25/40	310	200	160	24	210	335	8x18
100		350	235	190	24	250	398	8x22
125		400	270	220	26	305	486	8x26
150		480	300	250	28	358	571	8x26
200		600	360	310	30	450	717	12x26
250		730	425	370	32	503	802	12x30
300	25	850	485	430	34	578	921	16x30
350		980	555	490	38	598	953	16x33
400		1100	620	550	40	618	985	16x36
200		600	375	320	34	450	717	12x30
250		730	450	385	38	503	802	12x33
300	40	850	515	450	42	578	921	16x33
350		980	580	510	46	598	953	16x36
400		1100	660	585	50	618	985	16x39

STRAINER/FILTER type F10K
IN CARBON STEEL AND STAINLESS STEEL

PN16-40
DN15-DN400



Table 5. Product codes - valves of carbon steel

PN	Connection	Material body 1,0619		Material body 1,7357	
		Filter SS304	Filter SS316	Filter SS304	Filter SS316
16	Flange	F10K37*YYF016-zzz**	F10K38*YYF016-zzz**	F10K48*YYF016Y-zzz**	F10K58*YYF016Y-zzz**
	Weld-ends DN15-DN50 Forged	F20K37*YYB016Y-zzz**	F20K38*YYB016Y-zzz**	F20K48*YYB016Y-zzz**	F20K58*YYB016Y-zzz**
	Weld-ends > DN 50 Casted	F10K37*YYB016Y-zzz**	F10K38*YYB016Y-zzz**	F10K48*YYB016Y-zzz**	F10K58*YYB016Y-zzz**
25	Flange	F10K37*YYF025Y-zzz**	F10K38*YYF025Y-zzz**	F10K48*YYF025Y-zzz**	F10K58*YYF025Y-zzz**
	Weld-ends DN15-DN50 Forged	F20K37*YYB025Y-zzz**	F20K38*YYB025Y-zzz**	F20K48*YYB025Y-zzz**	F20K58*YYB025Y-zzz**
	Weld-ends > DN 50 Casted	F10K37*YYB025Y-zzz**	F10K38*YYB025Y-zzz**	F10K48*YYB025Y-zzz**	F10K58*YYB025Y-zzz**
40	Flange	F10K37*YYF040Y-zzz**	F10K38*YYF040Y-zzz**	F10K48*YYF040Y-zzz**	F10K58*YYF040Y-zzz**
	Weld-ends DN15-DN50 Forged	F20K37*YYB040Y-zzz**	F20K38*YYB040Y-zzz**	F20K48*YYB040Y-zzz**	F20K58*YYB040Y-zzz**
	Weld-ends > DN 50 Casted	F10K37*YYB040Y-zzz**	F10K38*YYB040Y-zzz**	F10K48*YYB040Y-zzz**	F10K58*YYB040Y-zzz**

**zzz=dimension 100=DN100

Table 6 - Product codes stainless steel valves

PN	Connection	Material body CF8		Material body CF8M
		Filter SS304	Filter SS316	Filter SS316
16	Flanges	F10K72F16Y*-zzz**	F10K7AF16Y-zzz**	F10K8AF16Y-zzz**
	Weld-ends	F10K72B16Y-zzz**	F10K7PB16Y-zzz**	F10K8AB16Y-zzz**
25	Flanges	F10K72F040Y-zzz**	F10K7PF040Y-zzz**	F10K8AF040Y-zzz**
	Weld-ends	F10K72B040Y-zzz**	F10K7PB040Y-zzz**	F10K8AB040Y-zzz**
40	Flanges	F10K72F040Y-zzz**	F10K7PF040Y-zzz**	F10K8AF040Y-zzz**
	Weld-ends	F10K72B040Y-zzz**	F10K7PB040Y-zzz**	F10K8AB040Y-zzz**

**zzz=dimension 100=DN100

YY = mesh size

Ex :

- YY=01 motsvarar mesh 0-10
- YY=02 motsvarar mesh 10-20
- YY=10 motsvarar mesh 90-100
- YY=20 motsvarar mesh 190-200

Address EF Valves AB
Teknikringen 1F
583 30 Linköping
Sweden

Contact: +46 (0) 703 22 56 36
info@efvalves.se
www.efvalves.se