



Applications

- Gas Fluids
- Cogeneration and Incineration Plants, Steel Industry, Concrete Industry, HVAC, Biomass Plants, Power Plants, Pulp and Paper Industry, Chemical Industry, Oil&Gas, Furnaces, Shipbuilding Industry

Working Conditions

- **Maximum Working Temperature up to 1000°C**
- **Maximum Working Pressure up to 3 bar**

General Characteristics

- ON/OFF or MODULATING Service
- Diameter Range from DN 200 to DN 1500
- FLANGED Connections PN6, PN10, PN16, ANSI150 or according to Customer's Drawings
- Tightness Class I, II and III according to ANSI B16.104
- Operated by Handlever, Pneumatic or Electric Actuators

Reference Regulations

- Designed according to EN 12516-1, EN 736-1, EN 736-2, EN 736-3, EN 1349, EN 593, ASME B16.34
- Materials according to EN 1503-1, EN 1503-2
- Face to Face Dimensions as per EN 558-1, EN 558-2, ASME B16.10
- End Connections as per EN 1092-1, ASME B16.5
- Marking according to EN 19

Compliance Certifications

- Certified Welding Procedures according to UNI EN 287-1
- Certification of Compliance with Machinery Directive 2006/42/CE
- Certification of Compliance with European Directive PED 97/23/CE
- Certification of Compliance with European Directive ATEX 94/9/CE **Group 2 Category 3 Zone 2 Gas and 22 Dust**

Test

- Tests carried out according to ANSI B16.104 EN 12266-1, EN 12266-2, EN 60534

Driving Systems

- Pneumatic and Electric Actuators according to EN 15714-1 EN 15714-2, EN 15714-3
- Actuators End Connections as per EN ISO 5210, EN ISO 5211

Applicazioni

- Fluidi gassosi
- Cogenerazione ed Impianti di Incenerimento, Industria Siderurgica, Cementifici, HVAC, Impianti a Biomassa, Centrali Termiche, Industria Cartaria, Industria Chimica, Oil&Gas, Forni Industriali, Cantieristica Navale

Condizioni Operative

- **Massima Temperatura d'Esercizio fino a 1000°C**
- **Massima Pressione d'Esercizio fino a 3 bar**

Caratteristiche Generali

- Servizio ON/OFF o di Modulazione
- Diametri da DN 200 a DN 1500
- FLANGIATE PN6, PN10, PN16, ANSI150 o su disegno del cliente
- Classi di Tenuta I, II, e III secondo ANSI B16.104
- Comando manuale o mediante Attuatori Pneumatici o Elettrici

Riferimenti Normativi

- Progetto in accordo a EN 12516-1, EN 736-1, EN 736-2, EN 736-3, EN 1349, EN 593, ASME B16.34
- Materiali in accordo a EN 1503-1, EN 1503-2
- Scartamenti in accordo a EN 558-1, EN 558-2, ASME B16.10
- Connessioni in accordo a EN 1092-1, ANSI B16.5
- Marcatura in accordo a EN 19

Certificazioni di Conformità

- Procedimenti di Saldatura certificati secondo UNI EN 287-1
- Certificazione di Conformità alla Direttiva Macchine 2006/42/CE
- Certificazione di Conformità alla Direttiva Europea PED 97/23/CE
- Certificazione di Conformità alla Direttiva Europea ATEX 94/9/CE **Gruppo 2 Categoria 3 Zone 2 Gas e 22 Dust**

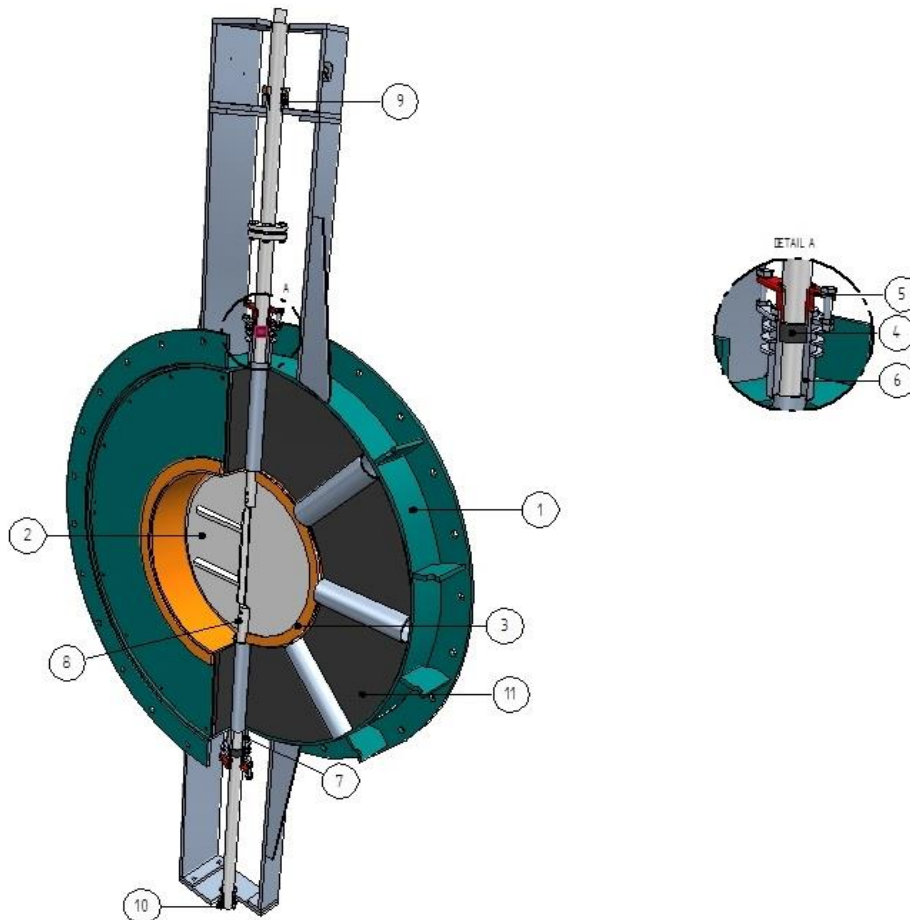
Collaudi

- Collaudi eseguiti in accordo a ANSI B16.104 EN 12266-1, EN 12266-2, EN 60534

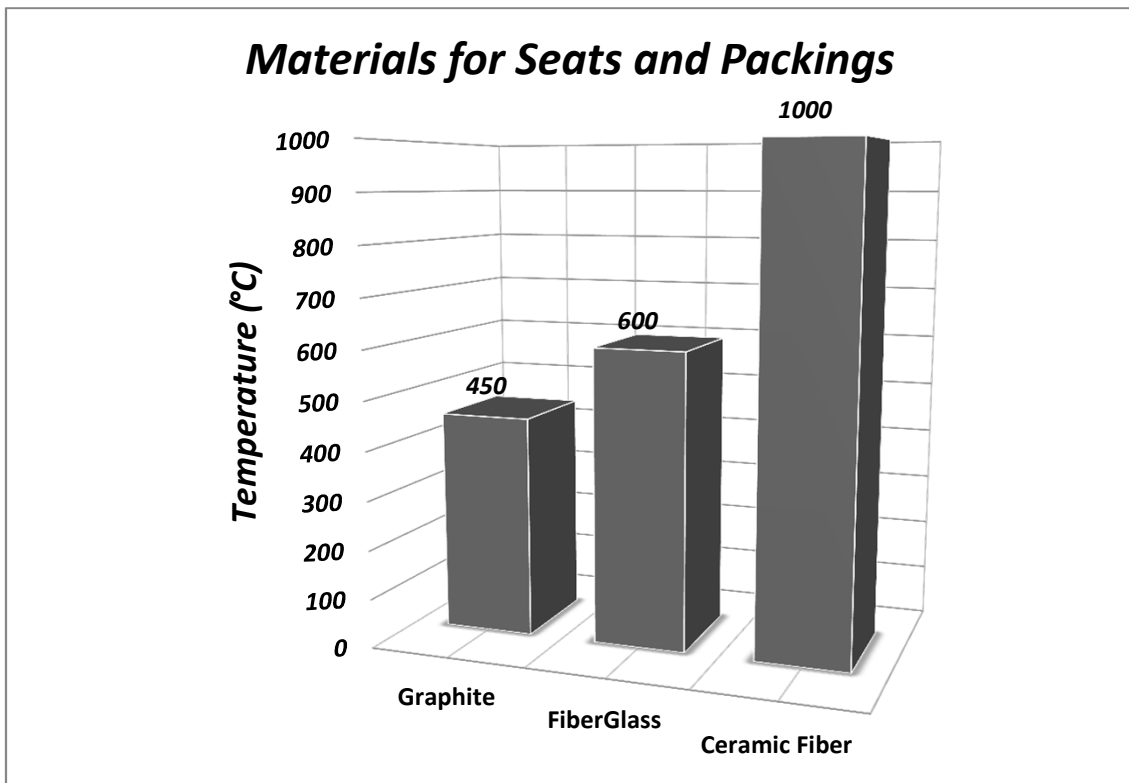
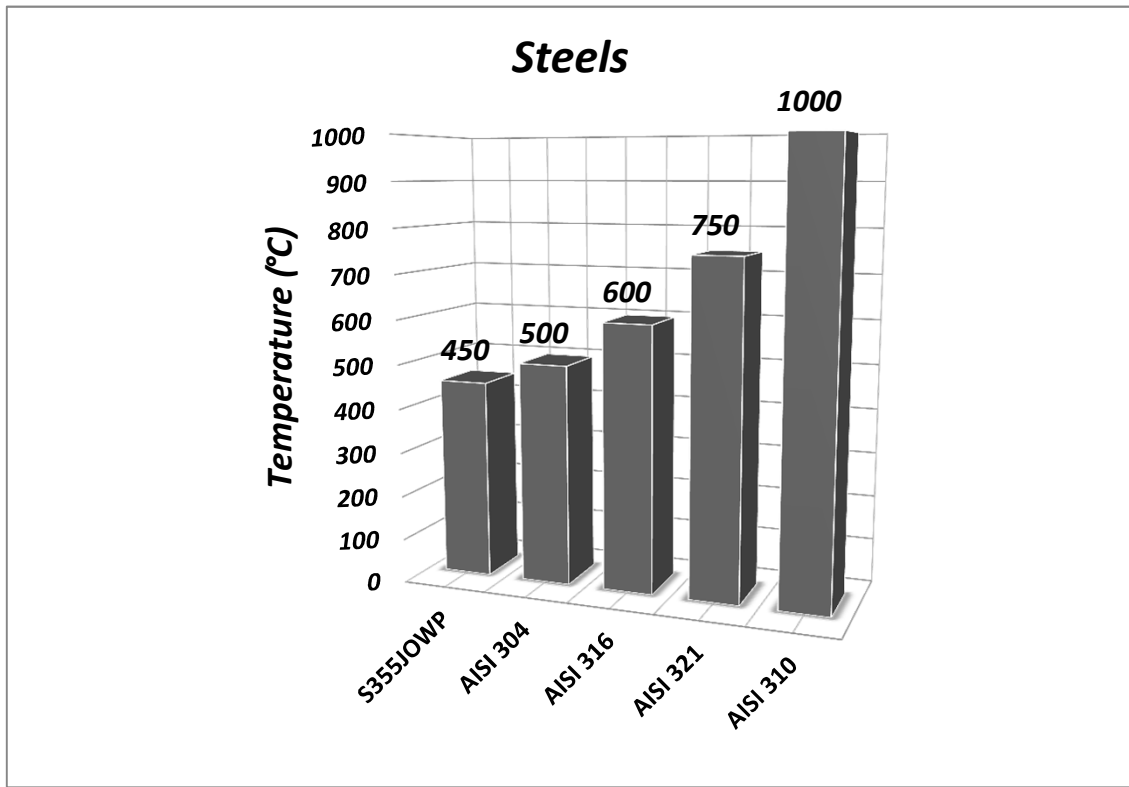
Attuatori

- Attuatori Pneumatici ed Elettrici in accordo a EN 15714-1 EN 15714-2, EN 15714-3
- Flange di accoppiamento in accordo a EN ISO 5210, EN ISO 5211

Valve Materials



Position/ Posizione	Description/ Descrizione	Material/ Materiale
1	Body/ Corpo	AISI 310 AISI 321 AISI 316 AISI 304 S355 JOWP (Corten-A)
2	Disc/ Lente	AISI 310 AISI 321 AISI 316 AISI 304 S355 JOWP (Corten-A)
3	Seat/ Tenuta	Metal to Metal Ceramic Fiber/ Fibra Cer. Fiberglass/ Fibra di Vetro Graphite/ Grafite
4	Packing/ Treccia	Ceramic Fiber/ Fibra Cer. Fiberglass/ Fibra di Vetro Graphite/ Grafite
5	Packing Ring/ Premitreccia	S355 JOWP (Corten-A)
6	Upper Support/ Supporto Superiore	S355 JOWP (Corten-A)
7	Lower Support/ Supporto Inferiore	S355 JOWP (Corten-A)
8	Bolting/ Viteria	Stainless Steel Grade A4 Stainless Steel Grade A2
9	Upper Bush/ Bronzina Superiore	Bronze/ Bronzo
10	Lower Bush/ Bronzina Inferiore	Bronze/ Bronzo
11	Insulating Thickness/ Spessore Isolante	Fiber/ Fibra

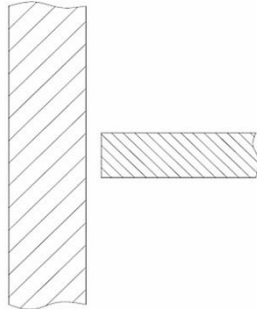


Seat Styles

No Seat - Leakage Class I

Maximum Leakage Rate agreed between Customer and Supplier

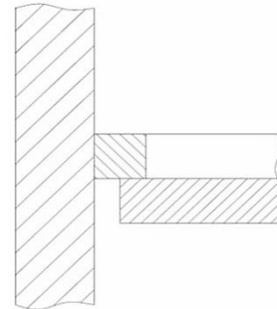
Cod.3



Metal to Metal - (up to Leakage Class III)

Leakage Rate: 1. < 0,5% Kvs for Class II 2. < 0,1% Kvs for Class III

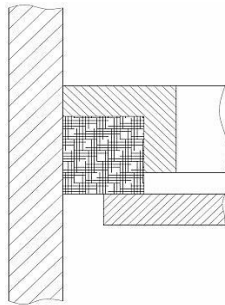
Cod.0



Soft Sealing with Braid - (up to Leakage Class III)

Leakage Rate: 1. < 0,5% Kvs for Class II 2. < 0,1% Kvs for Class III

Cod.5



Note: Maximum Leakage Class (according to ANSI/FCI 70-2-2006) depending on valve size. Percentage leakage rate decreases with the increase of valve size. Kvs is the Flow Coefficient relative to the valve totally opened.