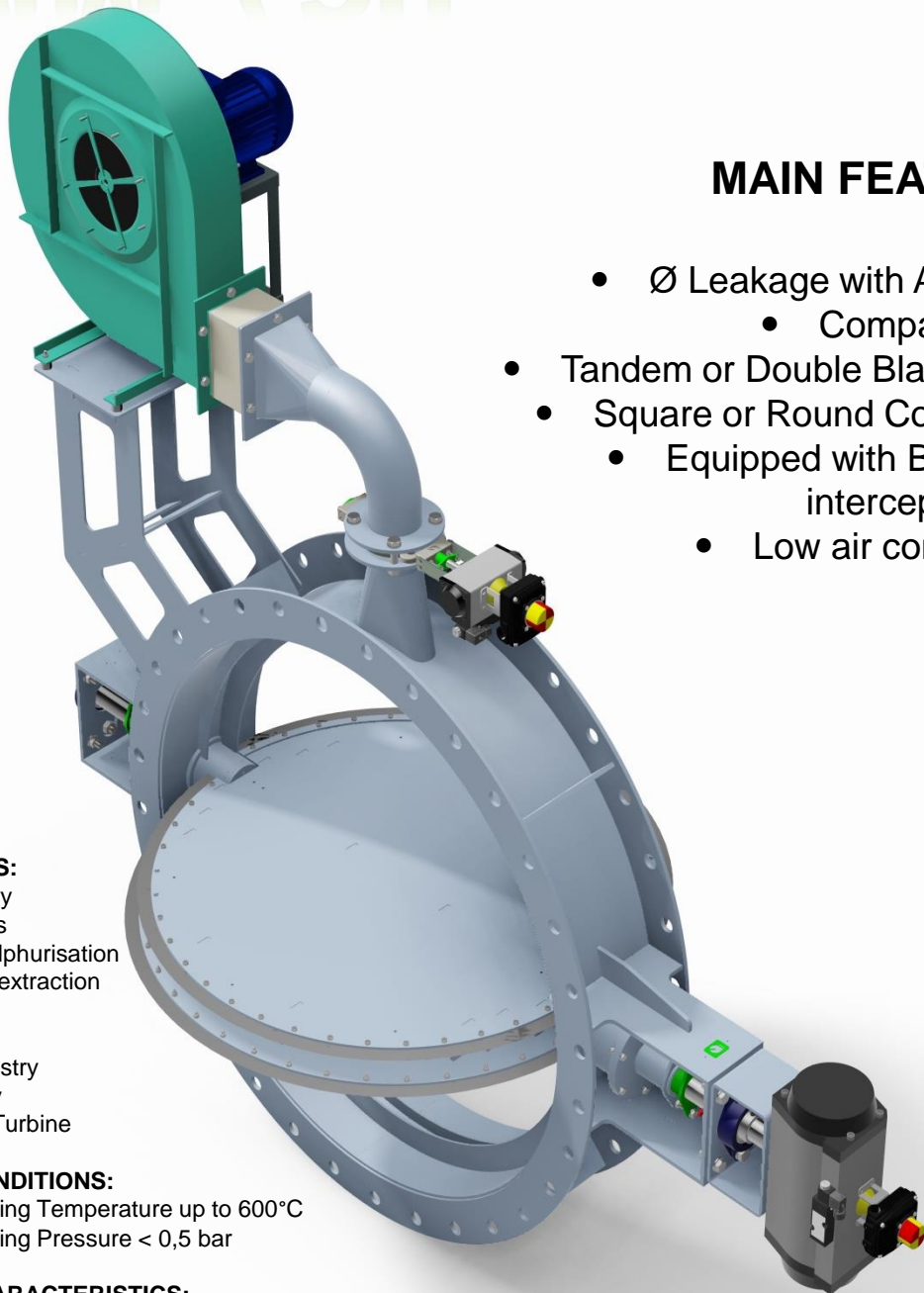


# AMM 750

## DAMPER VALVE

100% TIGHTNESS WITH SEAL AIR



### MAIN FEATURES:

- Ø Leakage with Air Sealing
  - Compact Design
- Tandem or Double Blade Design
- Square or Round Construction
  - Equipped with Blower and intercepting valve
- Low air consumption

### APPLICATIONS:

- Marine Industry
- Gas Scrubbers
- Flue gas desulphurisation
- Furnace Dust extraction
- SCR systems
- Fuel NOX
- Chemical Industry
- Paper industry
- Exhaust Gas Turbine

### WORKING CONDITIONS:

Maximum Working Temperature up to 600°C  
Maximum Working Pressure < 0,5 bar

### GENERAL CHARACTERISTICS:

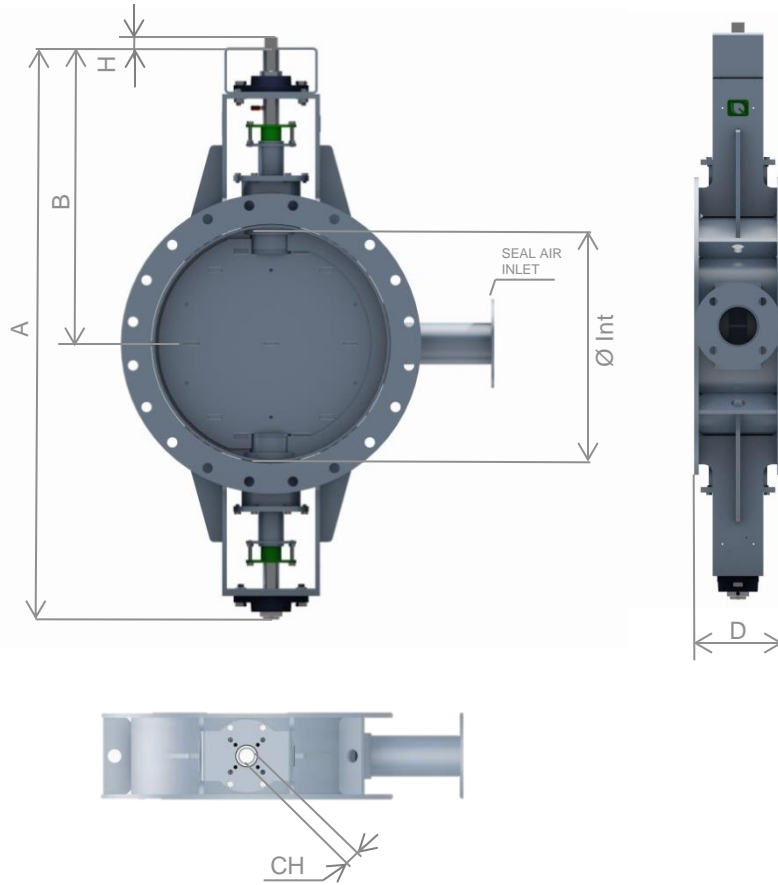
- On/OFF or Modulating Service
- Diameter Range from DN 200 to DN 3000  
( Larger Size on request )
- End Connections: Flanged PN6, PN10, ANSI 150, DIN, JIS
- Tightness Class: VI according to FCI 70-2  
PERFECT TIGHTNESS
- Operated by Handlever, Pneumatic or Electric Actuators

### MATERIALS:

- Depending on medium, temperature, customer requirements



## Ø LEAKAGE DAMPER VALVE WITH AIR SEALING SYSTEM



# AMM 750

DN	Ø Int	A	B	CH	D	H
300	316	1068	547	14	190	17
350	350	1100	564	14	190	17
400	400	1150	588	14	190	17
450	450	1196	648	22	190	20
500	500	1242	673	22	190	20
600	600	1395	721	22	240	20
700	700	1436	771	22	240	20
800	800	1595	821	22	240	20
900	900	1638	963	27	240	25
1000	1000	1877	1013	27	240	25
1100	1100	1994	1063	27	240	25
1200	1200	2150	1113	27	240	25
1300	1300	2227	1163	27	300	25
1400	1400	2355	1215	27	300	25
1500	1500	2455	1265	27	300	25
1600	1600	2582	1352	36	400	30
1700	1700	2700	1415	36	400	30
1800	1800	2815	1475	36	400	30
1900	1900	2935	1540	36	400	30
2000	2000	3052	1600	36	400	30

AMMtech reserves the right to make changes to its products at any time.



Via G. Puccini, 1940/N -55016 Porcari (LU)  
Ph. +39 0583 210660 – [info@amm-tech.it](mailto:info@amm-tech.it) – [www.amm-tech.it](http://www.amm-tech.it)