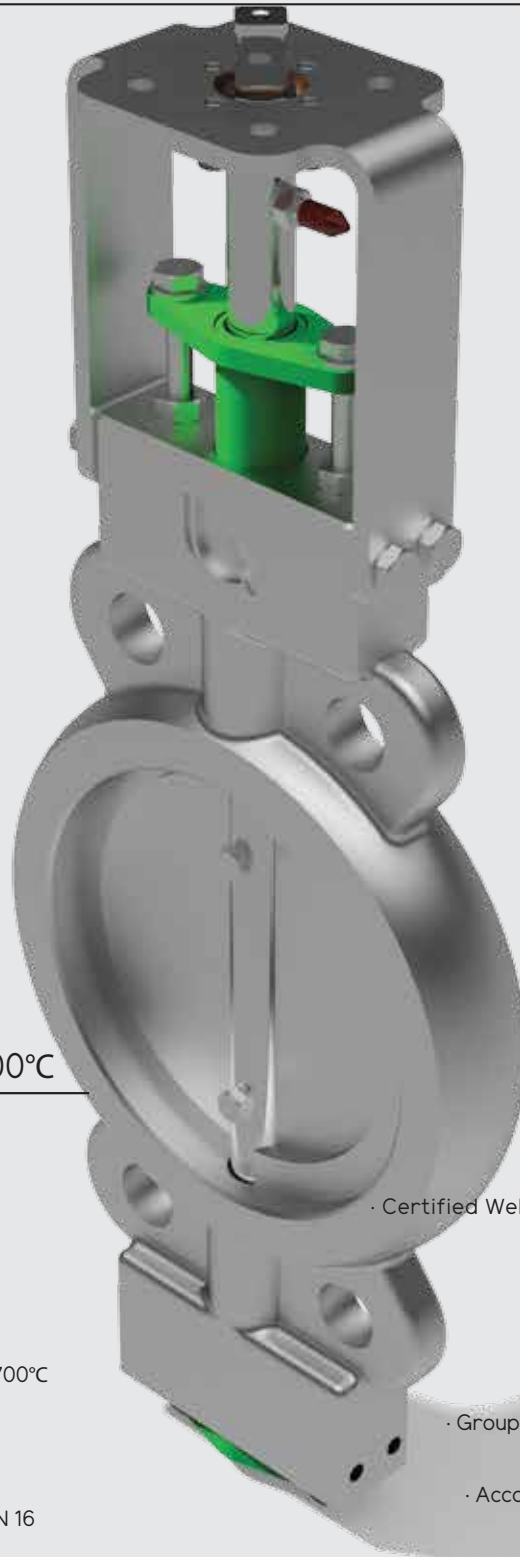


SERIES 7



MAIN FEATURES:

- Full Body Cast in Stainless Steel
- Reduced Dimensions
- Robust Design
- Low Maintenance costs
- From DN 50 to DN 125
- Mechanical Position Indicator

AMM 704

Butterfly Damper Valve
for Fumes and Air up to 700°C

APPLICATIONS:

- Fluids: Air, Gas and Fumes
- Biomass and Biogas
- Renewable Energy Plants
- Steel Industry and Furnaces
- Boilers and Burners
- Chemical Industry
- HVAC

WORKING CONDITIONS:

- Maximum Working Temperature up to 700°C
- Maximum Working Pressure up to 3 bar

GENERAL CHARACTERISTICS:

- BODY in CAST CF3M (316L SS)
- Diameter Range from DN 50 to DN 125
- End Connections: WAFER PN 6, PN 10, PN 16
- Tightness Class: I according to FCI 70-2
- Operated by Handlever, Pneumatic or Electric Actuators

MATERIALS:

- Entirely in CF3M (316L SS)
- Body and Shaft in CF3M (316L SS) DISC in 321 SS for 700°C

APPLICABLE STANDARD:

- Materials according to EN 1503-1, EN 1503-2
- Marking according to EN 19
- Certified Welding Procedures according to UNI EN 287-1

APPLICABLE DIRECTIVES:

- Declaration of Conformity in Compliance with Machinery Directive 2006/42/CE
- Declaration of Conformity in Compliance with European Directive PED 97/23/CE
- Declaration of Conformity in Compliance with European Directive ATEX 94/9/CE
- Group 2 Category 3 Zone 2 Gas and 22 Dust (II 3 GD)

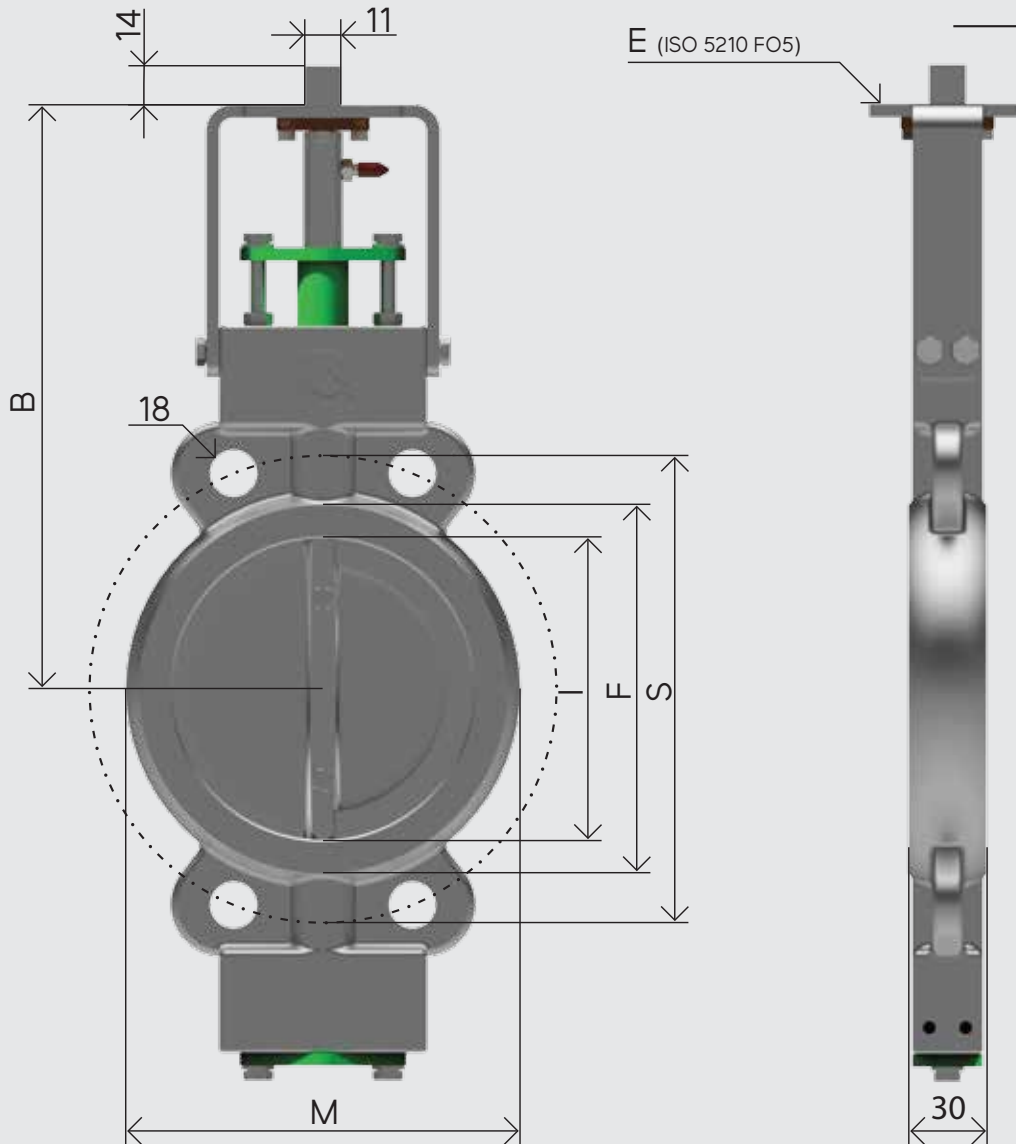
TEST:

- According to AMMtech Quality Control Plan QCP00
- According to ANSI/FCI70-2, EN 12266-1, EN 12266-2, EN 60534

DRIVING SYSTEMS:

- Pneumatic and Electric Actuators according to EN 15714-1, EN 15714-2, EN 15714-3
- Actuators End Connections as per EN ISO 5210, EN ISO 5211

SERIES 7



DN	I	F	B	S	M	E
50	55	84	170.5	125	94	Nr. 4 Holes ø6.5 if 50mm
65	70	106	196	145	116	Nr. 4 Holes ø6.5 if 50mm
80	85	122	204	160	132	Nr. 4 Holes ø6.5 if 50mm
100	105	142	216	180	152	Nr. 4 Holes ø6.5 if 50mm
125	130	172	224	210	182	Nr. 4 Holes ø6.5 if 50mm